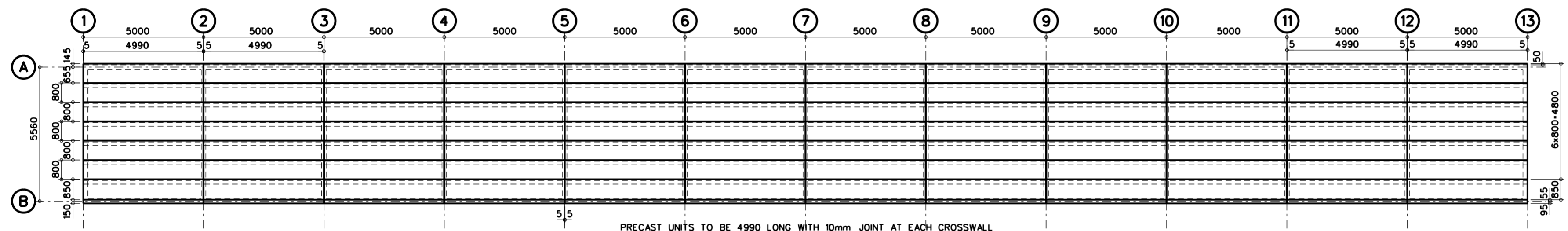
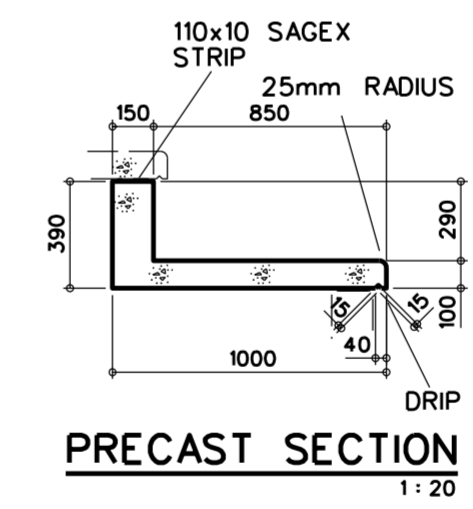


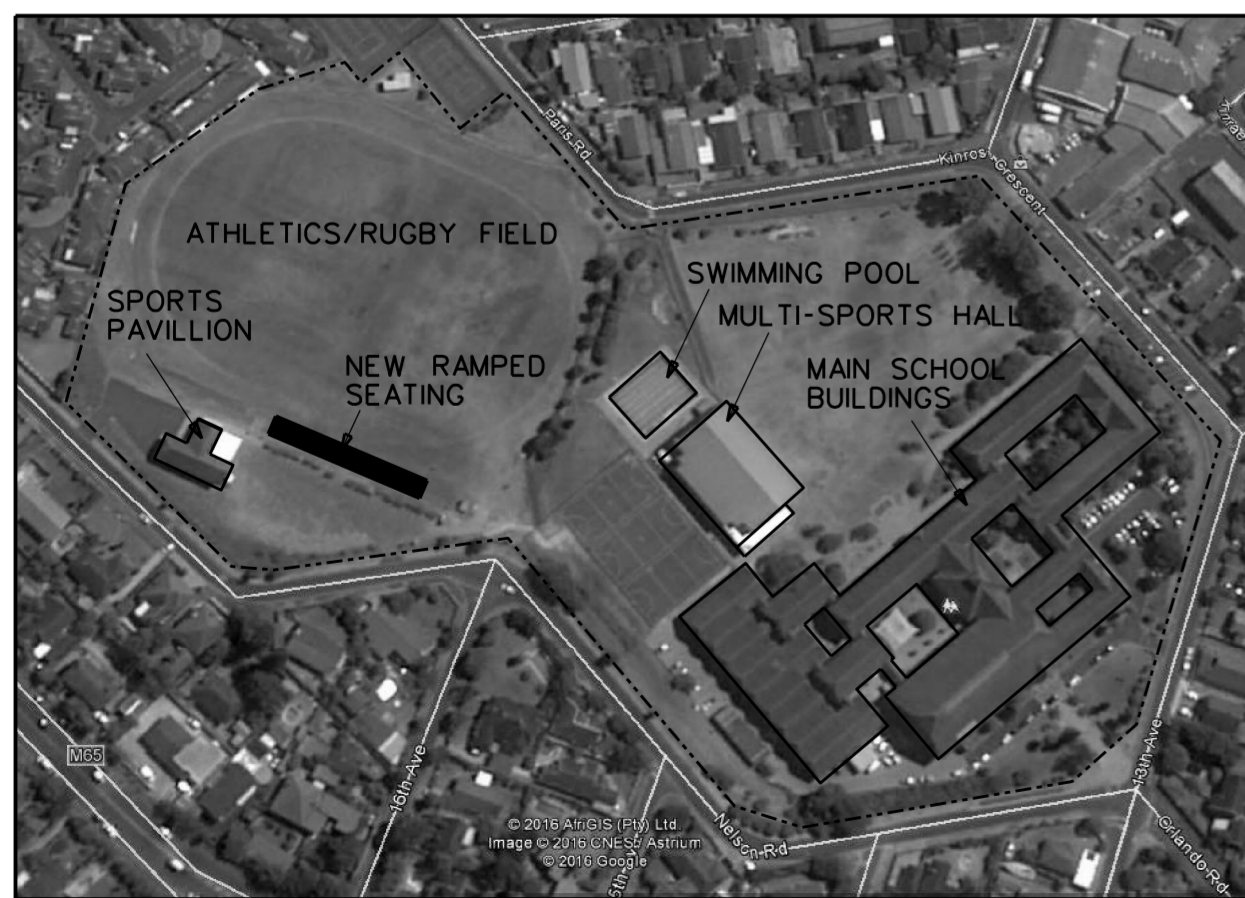
**SCHEME 3 - PLAN ON STRIP FOOTINGS**  
1 : 100



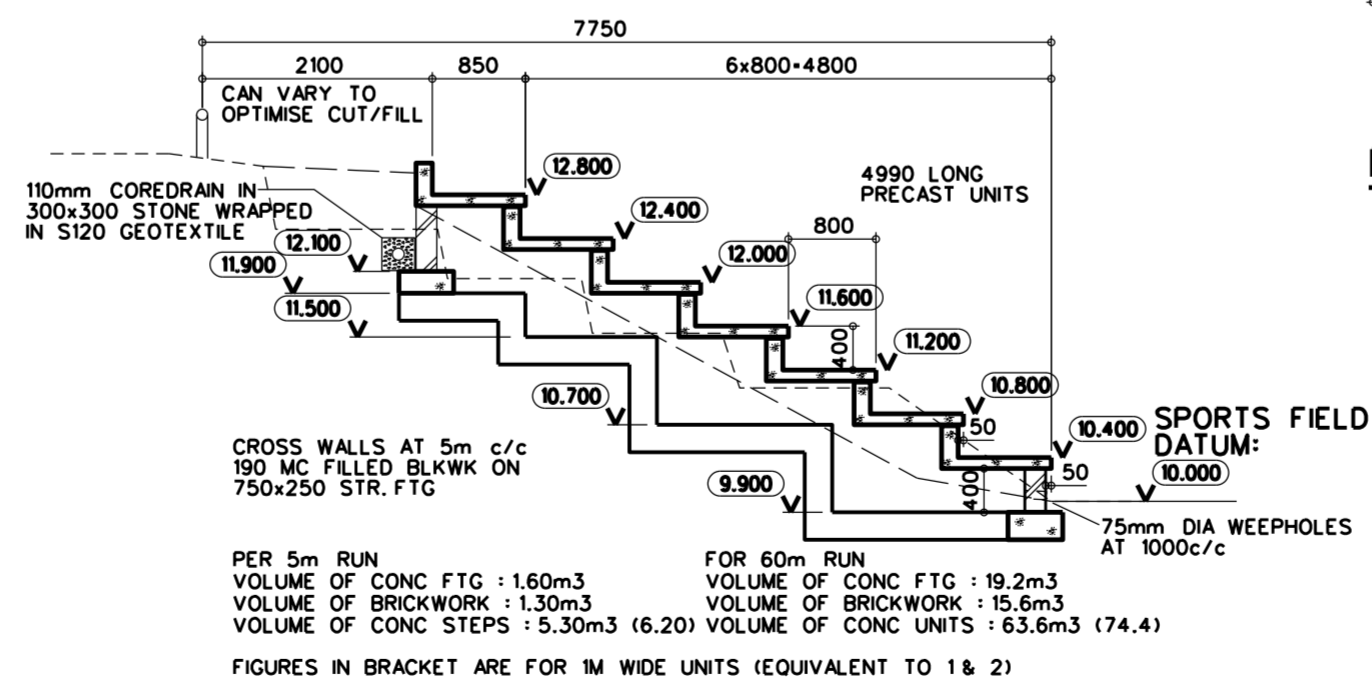
**SCHEME 3 - PLAN ON PRECAST SEATING SLABS**  
1 : 100



**PRECAST SECTION**  
1 : 20



**FHHS KEYPLAN**  
1 : 2000



**SOLUTION 3 - PRECAST UNITS WITH CROSS WALLS**  
1 : 50

<b>P</b>	PREFIX IN REVISION BLOCK DENOTES	<b>PRELIMINARY STAGE</b>	SIZE/GR
<b>C</b>	PREFIX IN REVISION BLOCK DENOTES	<b>CONSTRUCTION STAGE</b>	<b>A1</b>
REV/WYS	DATE/DATUM	DESCRIPTION/BEKRYWING	BY/DEUR CHECKED/NAGESIEN
PROJECT/PROJEK			
<b>SPECTATOR SEATING FISH HOEK HIGH SCHOOL 13TH AVE, FISH HOEK</b>			
PRINCIPAL AGENT/ HOOFAGENT	<b>LOCATION</b>		
DESIGNED/ONTWERP	S R SWEETING		
DRAWN/GETEKEN	S R SWEETING		
CHECKED/NAGESIEN			
DIRECTOR/DIREKTEUR			
DATE/DATUM	TODAYS DATE		
DRAWING TITLE/TEKENING TITEL	DRWG No./TEK Nr.	REV/WYS	
<b>SCHEME 3 - PRECAST SEATING UNITS</b>	<b>1000-101</b>	<b>P1</b>	